

DATA SHEET

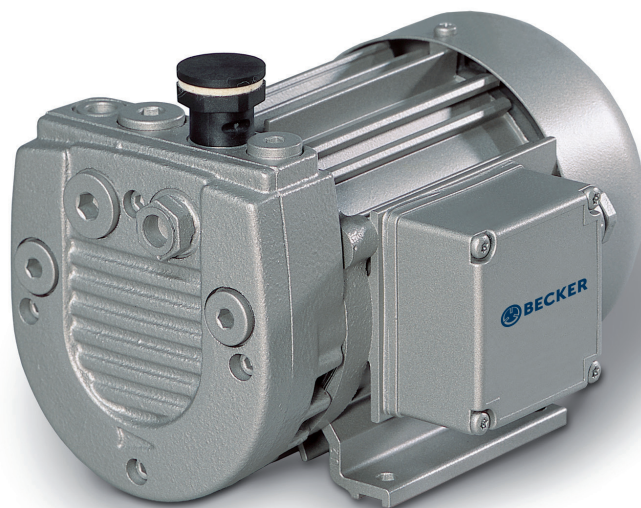
DT 4.2

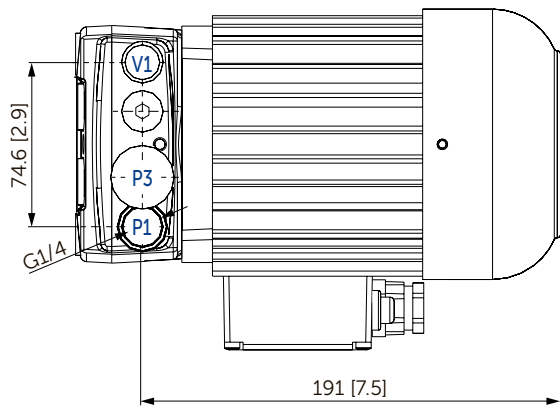
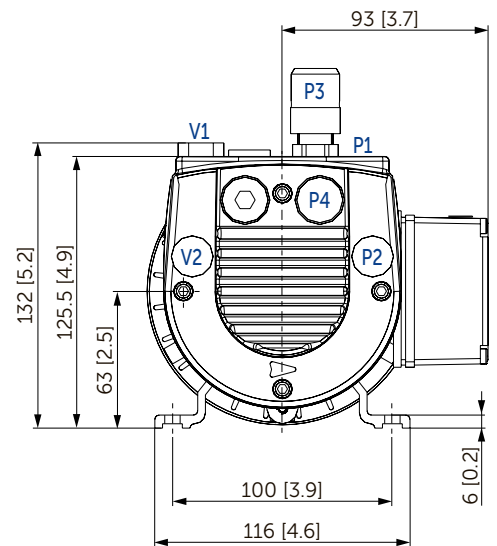
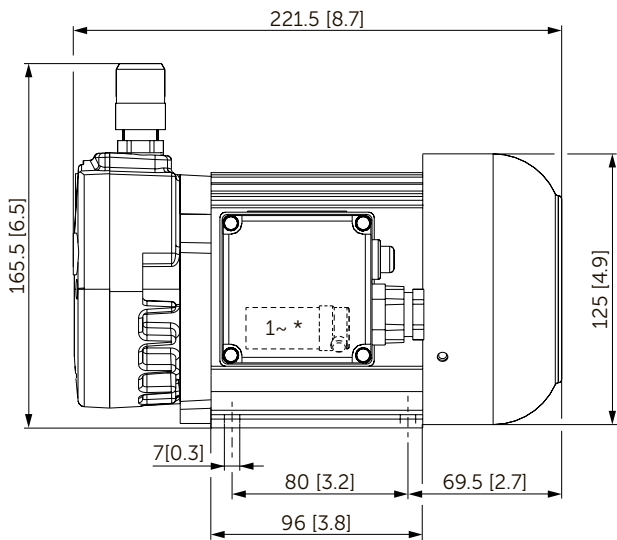
ROTARY VANE COMPRESSORS

oil-free

air-cooled

MAKE IT BECKER.





P1 (P2) Pressure connection (G $\frac{1}{4}$)

P3 (P4) Pressure regulating valve

V1 (V2) Air nozzle

(XX) Alternative

* The size and position of the capacitor can change with changed voltage / frequency.

▪ Including integrated suction air filter

▪ The motor illustration may vary

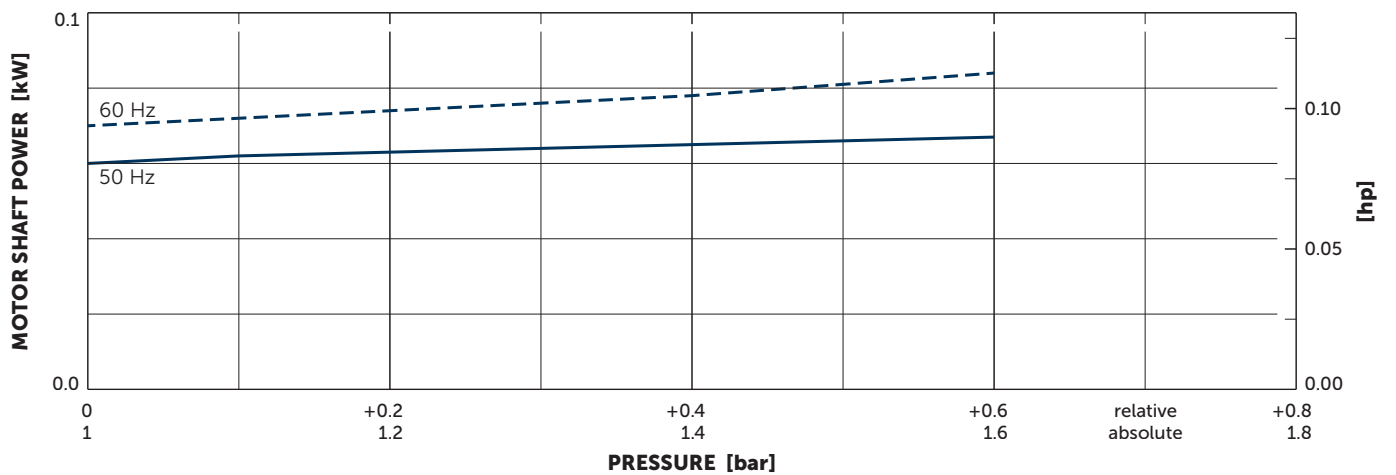
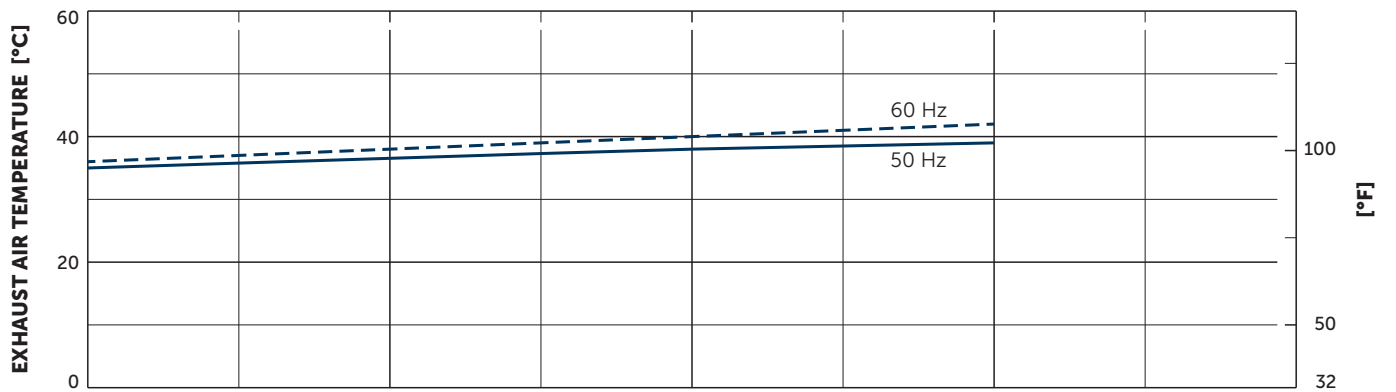
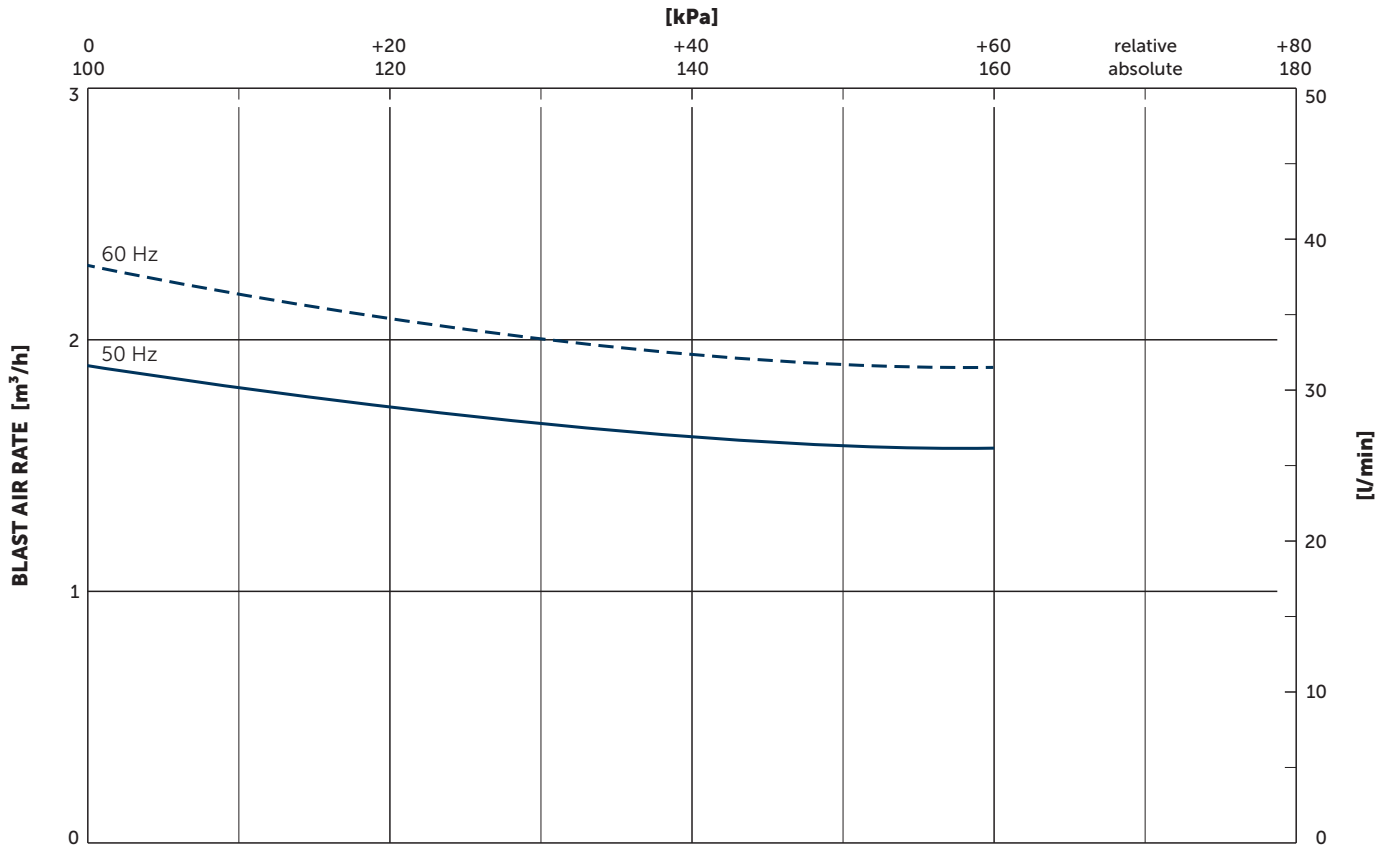
▪ Dimensions in mm [inch]

Blast air rate		Pressure relative		Emission sound pressure level ¹⁾		Weight incl. motor
m ³ /h		mbar		dB(A)		kg
50 Hz	60 Hz	50 Hz	60 Hz	50 Hz	60 Hz	
1.9	2.3	+0.6	+0.6	53	55	7

1~ Motor									
#	50 Hz				60 Hz				Version
	kW	V	rpm	A	kW	V	rpm	A	
01	0.09	230 ±10%	1320	1.11	0.105	230 ±10%	1570	1.07	IP54 • ISO F 4 µF (400 V)

¹⁾ DIN EN ISO 3744 (KpA = 3 dB(A)) interval of 1 m [39.4 inch], at medium load, both connection sides piped

▪ Current consumption and rotation speed may vary. Tolerance in each case -1.5/+2%



Reference data (atmosphere): 1000 mbar (100 kPa), 20°C (68°F)
 Tolerance: ±10%



MAKE IT BECKER.